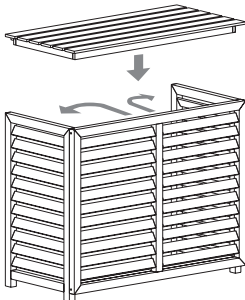
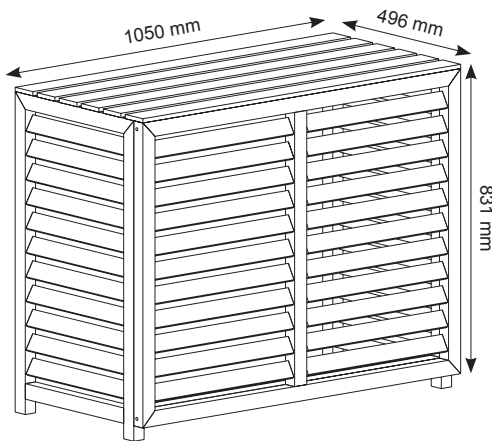
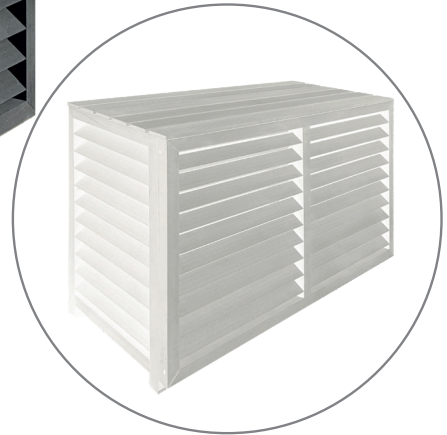


Heat Pump Cover

Air to Air Wall Split Heat Pump

ANDERSEN
Electric



- Heat pump cover for air to air wall split heat pumps. Fits most of the heat pumps on the market
- Inner measurements (WxDxH): 982x462x798 mm
- Available in two finishes: white and anthracite
- Maintenance-free – made of wood plastic composite
- Easy to install (consists only of two parts)

Colour	Item no.:
White	1901
Anthracite	1902